



**Emergency** Telephones

100% Australian Owned

[www.emergencytelephones.com.au](http://www.emergencytelephones.com.au)

ETZD-06



Sales and Service:



**Emergency Telephones**

PO Box 606 Rockdale NSW 2216

Telephone: 02-9599-9555

Fax: 02-9599-9225

Email: [sales@emergencytelephones.com.au](mailto:sales@emergencytelephones.com.au)

[service@emergencytelephones.com.au](mailto:service@emergencytelephones.com.au)

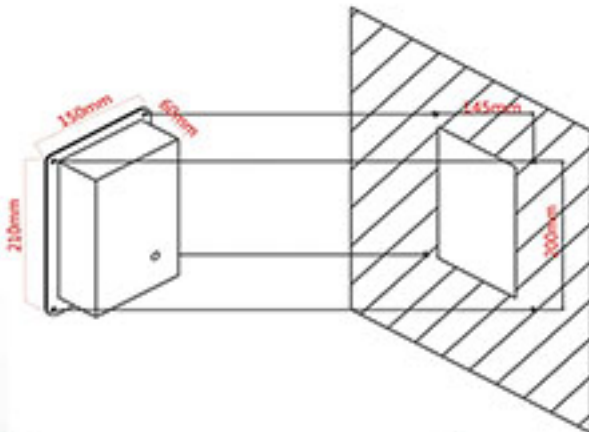


# Emergency Telephones

100% Australian Owned

[www.emergencytelephones.com.au](http://www.emergencytelephones.com.au)

The emergency call telephone will be designed to work on railway, metro, tunnel, etc. Housed in stainless steel box with one CALL/ ANSWER button, it will offer protection against the outdoor environment and vandals. The unit will meet all the latest European/UK standards telephony, waterproofing IP65, and lightning protection together with offering the level of performance and reliability demanded in such an environment.



## Main Product features

1. High waterproof, dustproof performance, SUS304 full stainless steel body, protection grade reaches to IP65.
2. High durability, oil, acid, alkali resistance, conform to the standards of GJB - 773 and UL1332 requirements.
3. Without handset, communication via loudspeaker.
4. Highly integrated mainboard, using the most advanced industry-specific microcontroller made in ATMEL company.
5. The box with earthing device is completely isolated with internal electric circuit, and has certain electromagnetic shielding effect.
6. Conversation with clear loud voice, no feedback screaming.
7. Support hotline of exchange system.
8. Support the function of exterior line automatic lift.
9. Support conversation time limited.
10. Strong, thick and beautiful body with embed wall design.
11. talking distance: 80cm-100cm.



- Standard and SMART Analogue and VoIP-SIP options available
- DTMF(Dual Tone Multi Frequency)
- Matching with most PABX,PBX and PAX systems.

## Main PCB

1. Well treated PCB used inside the phone.
2. Robust screw terminals used for the connection of ringer, handset, line in, hookswitch.
3. Selectable 7 minute time out, to release the line if the handset is left off hook.
4. All connectors be greased in production.

## VOIC OVER IP- SIP ( Version )

Connection type: RJ45 Socket inside sealed enclosure  
Power supply: External 5V dc  
Call set-up Protocol: Session Initiation Protocol(SIP)  
Configuration: DHCP or STATIC IP address provisioning

Sales and Service:



## Emergency Telephones

PO Box 606 Rockdale NSW 2216

Telephone: 02-9599-9555

Fax: 02-9599-9225

Email: [sales@emergencytelephones.com.au](mailto:sales@emergencytelephones.com.au)

[service@emergencytelephones.com.au](mailto:service@emergencytelephones.com.au)

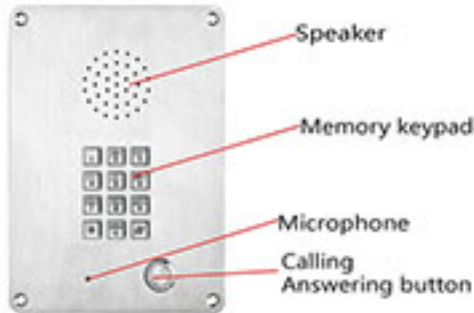


# Emergency Telephones

100% Australian Owned

[www.emergencytelephones.com.au](http://www.emergencytelephones.com.au)

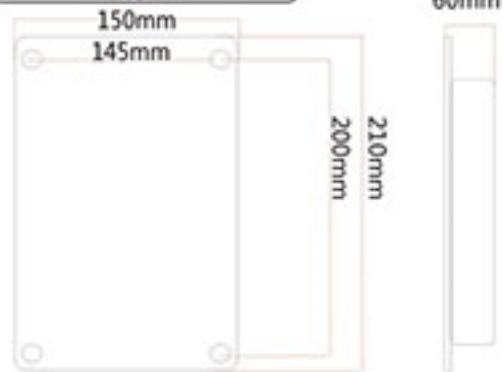
## Telephone layout



## TECHNICAL SPECIFICATION

1. It is suitable for automatic instruction amplification telephone system when feed voltage reaches to 33- 60V.
2. Environmental temperature: -30°C ~ 60°C
3. Relative humidity: 10% ~ 95%
4. Atmospheric pressure: 86 ~ 106Kpa
5. Environmental noise: ≤80dB
6. Double audio dialing
7. Standard frequency: 697, 770, 852, 941Hz
8. Low frequency group: 697, 770, 852, 941Hz
9. High frequency group: 1209, 1336, 1477Hz
10. Frequency offset:  $\leq \pm 1.5\%$
11. The signal level when the length of user's line is 3km:
12. Standard frequency: Low frequency group: -9dB
13. High frequency group: -7dB±3dB
14. Level difference between high and low frequency of combined signal: 2±1dB
15. The total intermodulation distortion caused by harmonic is 20dB lower than wave level.
16. Call transmission index: (5Km) SLR ≤ 12, RLR ≤ -1, and STMR ≥ 10, Input impedance: 600Ω
17. Handsfree operation built-in loud speaker 0.5W.

## Mounting bracket



## Connection cable

Stainless steel connection cable to exchange.  
Well treated keep waterproof.

## Packing detail:



Unit size: 337\*254\*54mm , N.W: 2.3KG

1pcs in each inner CTN box, size: 439\*277\*191mm G.W: 3KG

4pcs in outer CTN box, size: 566\*445\*420mm G.W: 13.3KG

## Certification:

N30788



EMC: EN50121 (Railway application-  
Electromagnetic Compatibility)  
EN55022: emissions  
EN55024: immunity

FCC

ITU-T Recommendations K21

Sales and Service:



## Emergency Telephones

PO Box 606 Rockdale NSW 2216

Telephone: 02-9599-9555

Fax: 02-9599-9225

Email: [sales@emergencytelephones.com.au](mailto:sales@emergencytelephones.com.au)

[service@emergencytelephones.com.au](mailto:service@emergencytelephones.com.au)